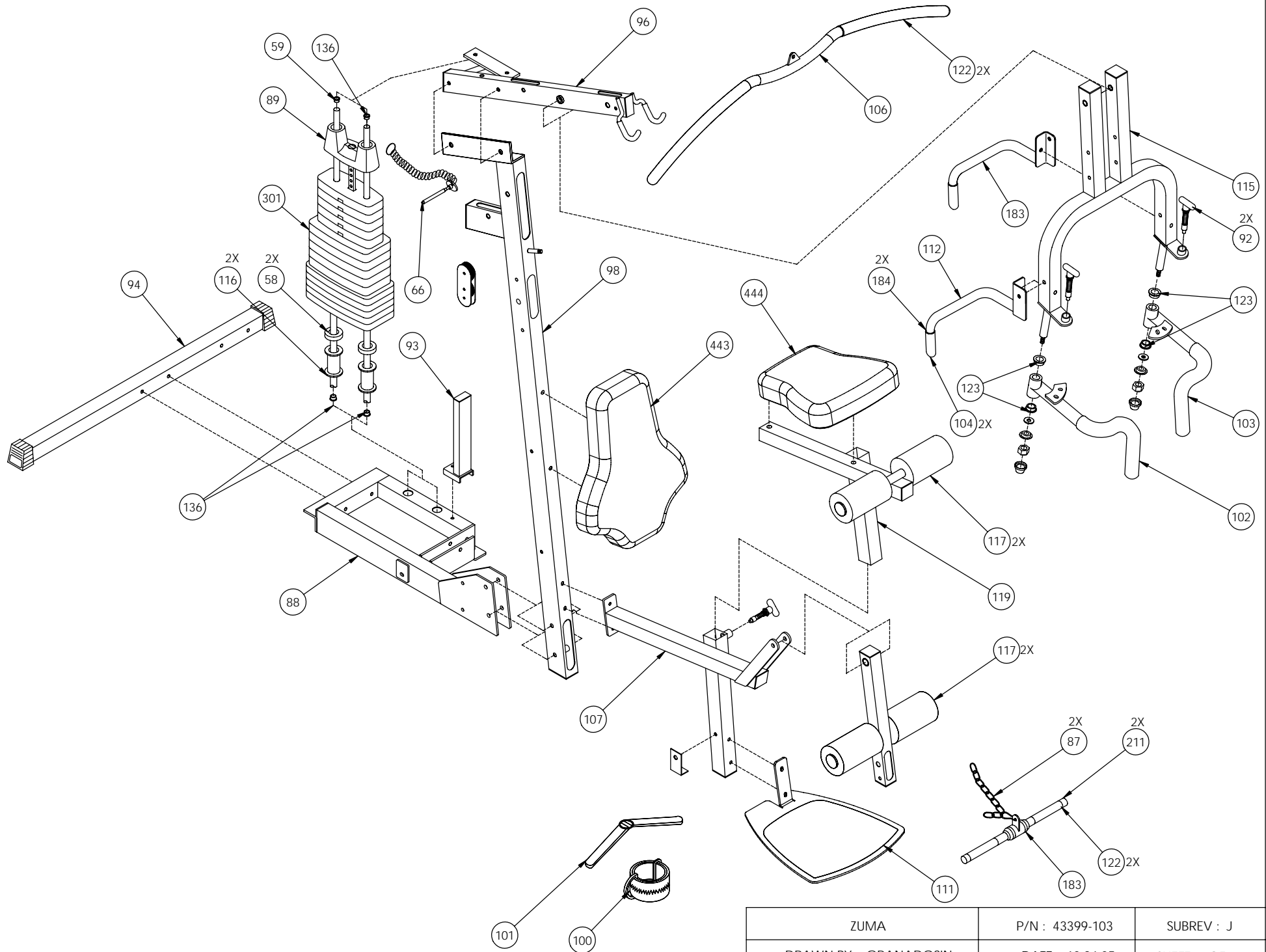
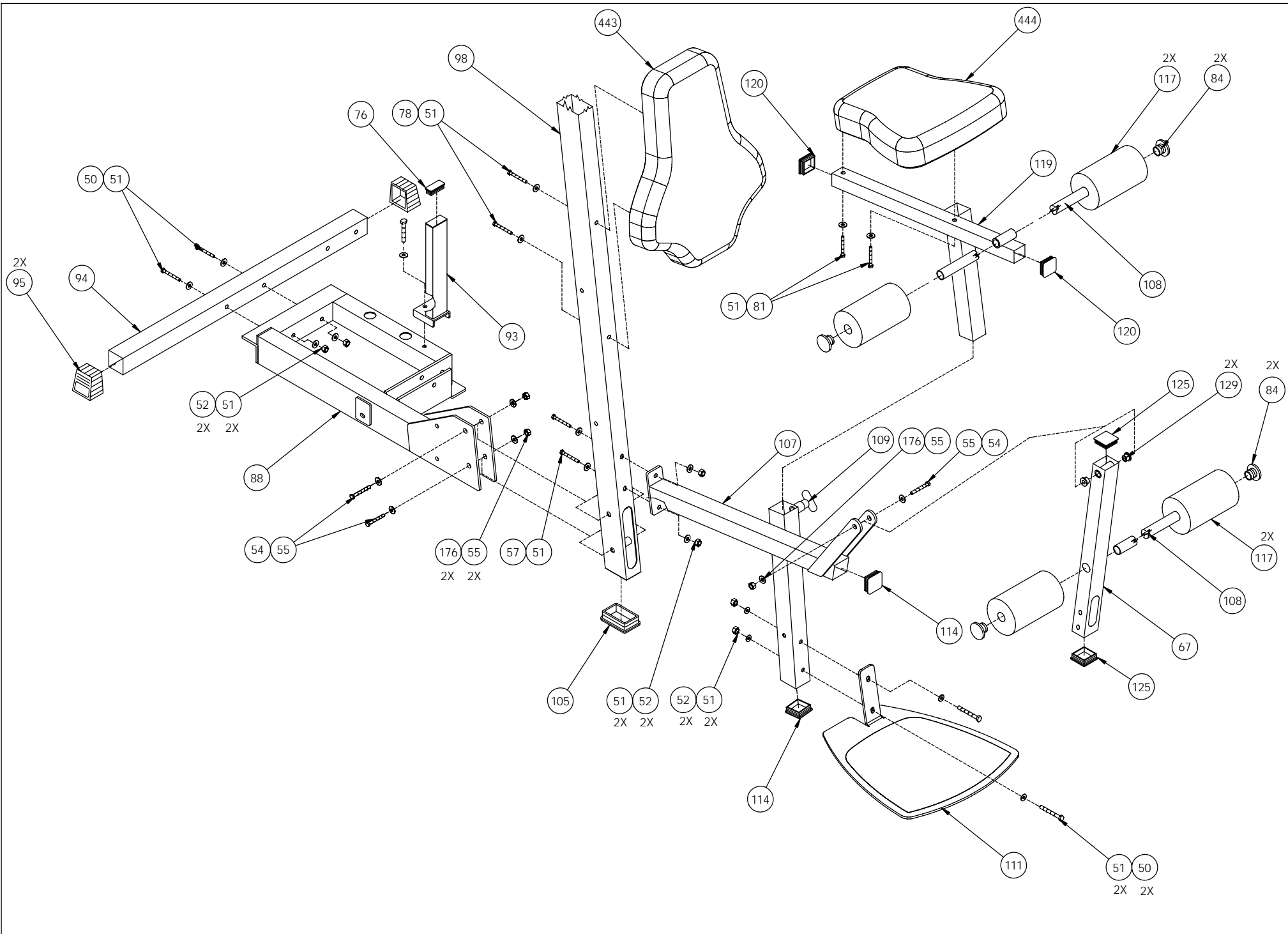


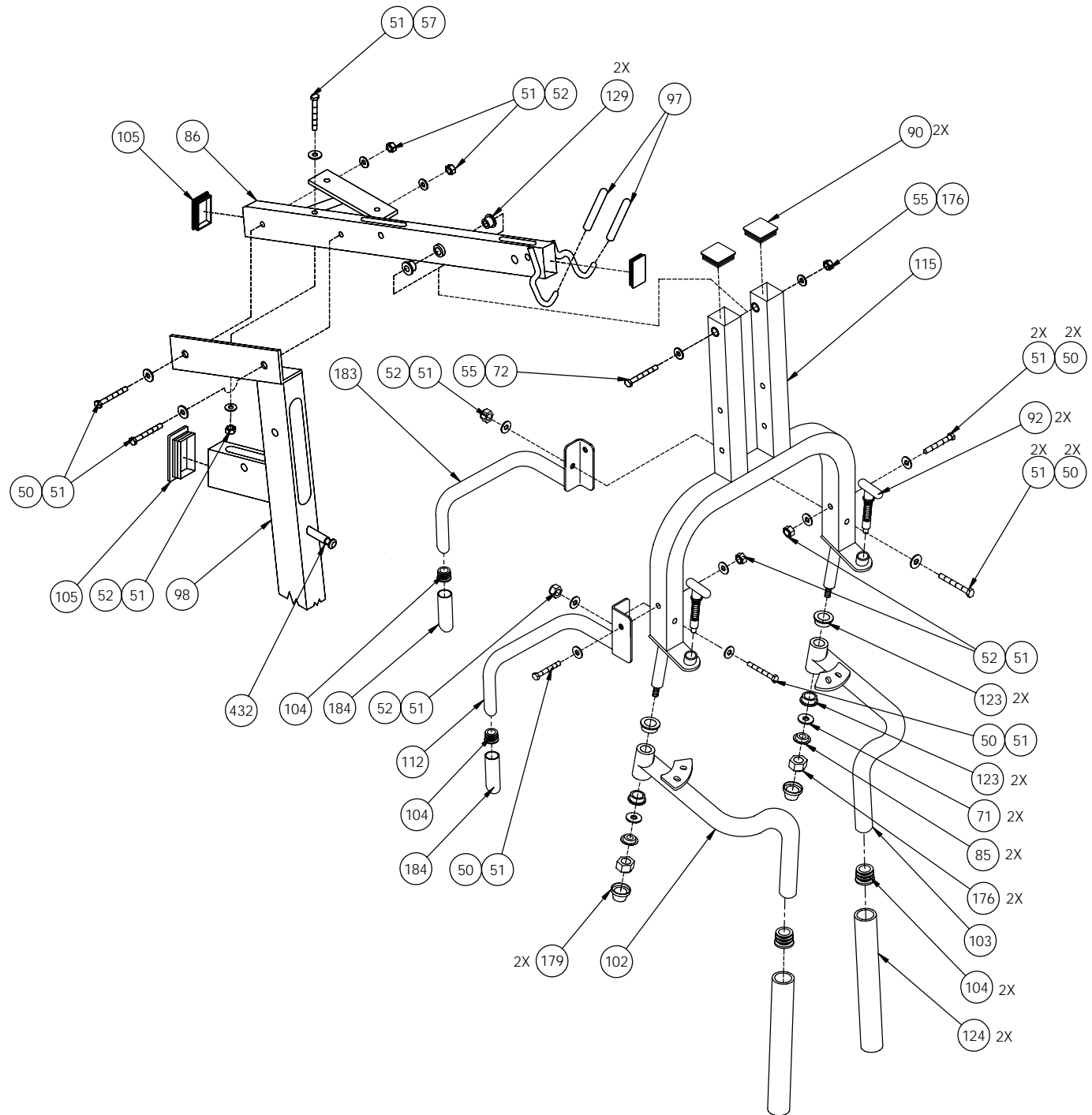
ZUMA	P/N : 43399-103	SUBREV : J
DRAWN BY : GRANADOSIN	DATE : 10.24.05	SHEET 1 OF 11



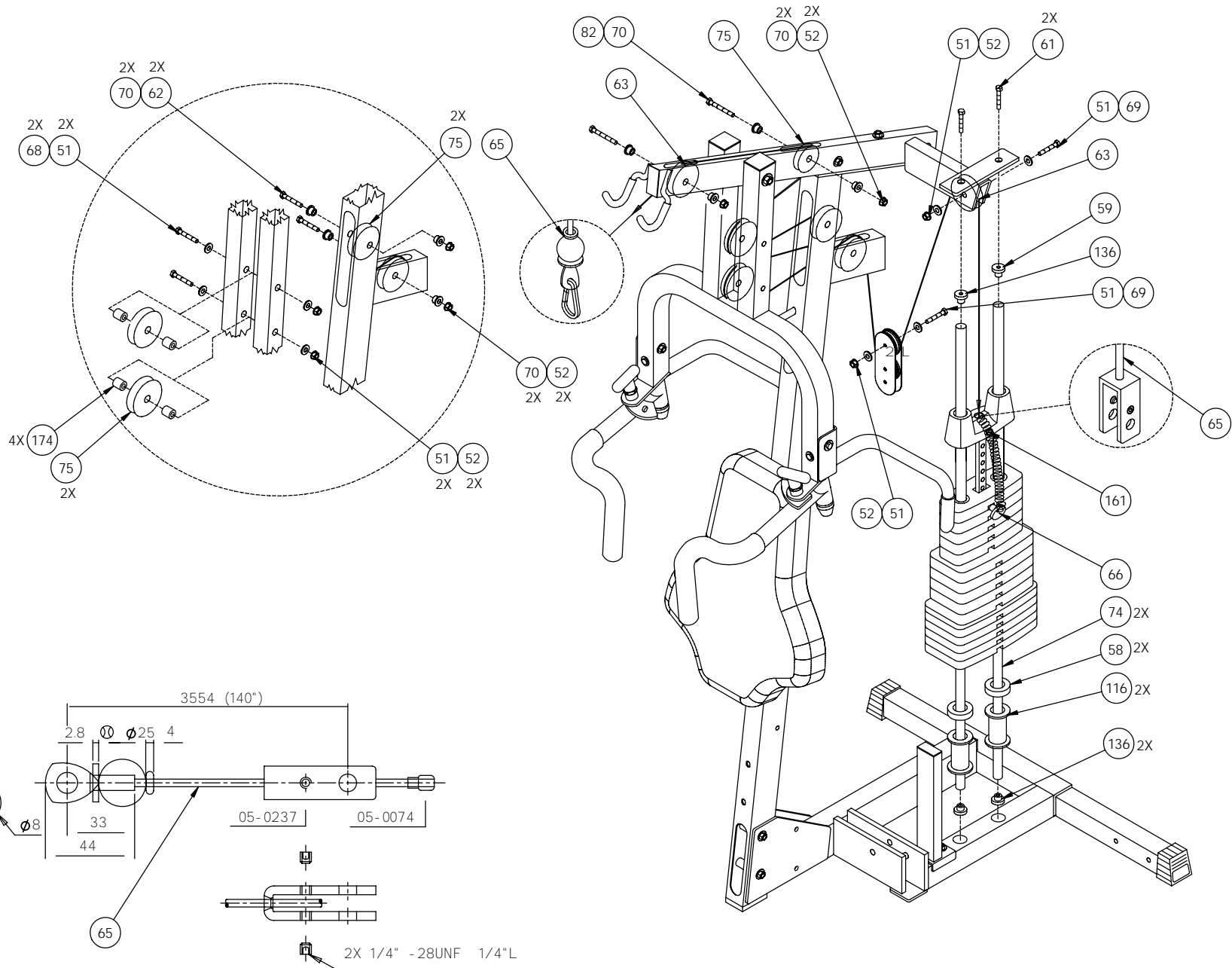
ZUMA	P/N : 43399-103	SUBREV : J
DRAWN BY : GRANADOSIN	DATE : 10.24.05	SHEET 2 OF 11



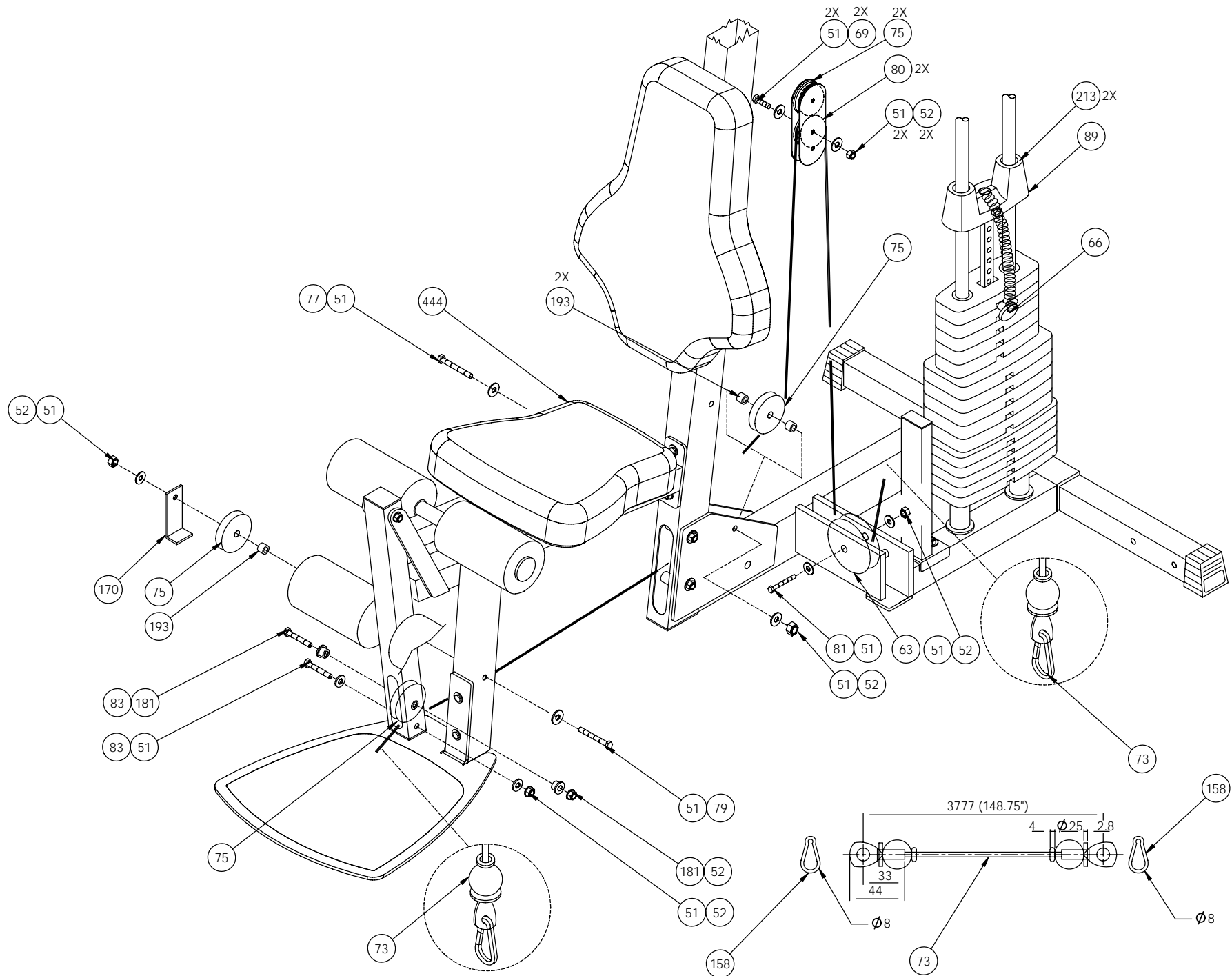
ZUMA	P/N : 43399-103	SUBREV : J
DRAWN BY : GRANADOSIN	DATE : 10.24.05	SHEET 3 OF 11



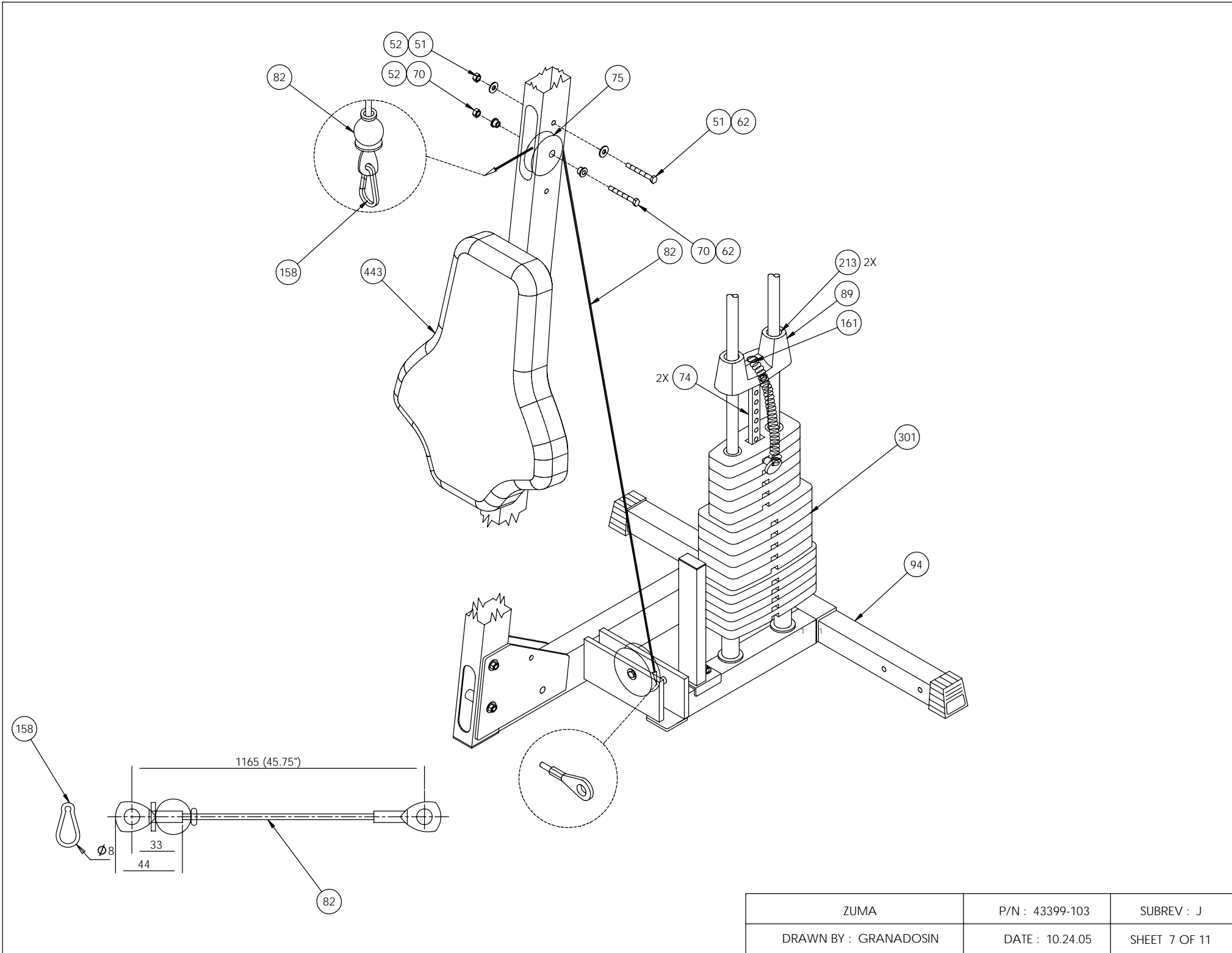
ZUMA	P/N : 43399-103	SUBREV : J
DRAWN BY : GRANADOSIN	DATE : 10.24.05	SHEET 4 OF 11



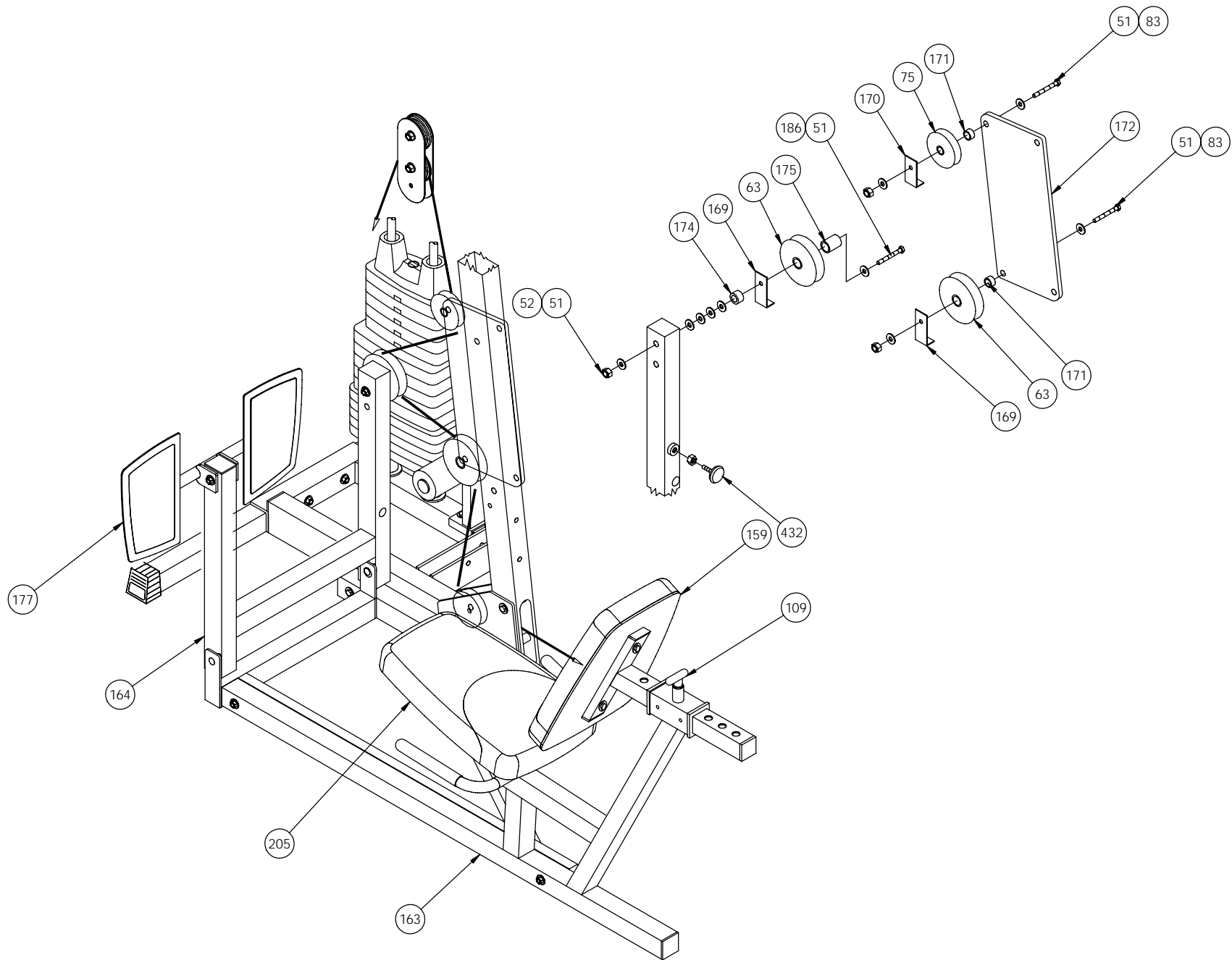
ZUMA	P/N : 43399-103	SUBREV : J
DRAWN BY : GRANADOSIN	DATE : 10.24.05	SHEET 5 OF 11



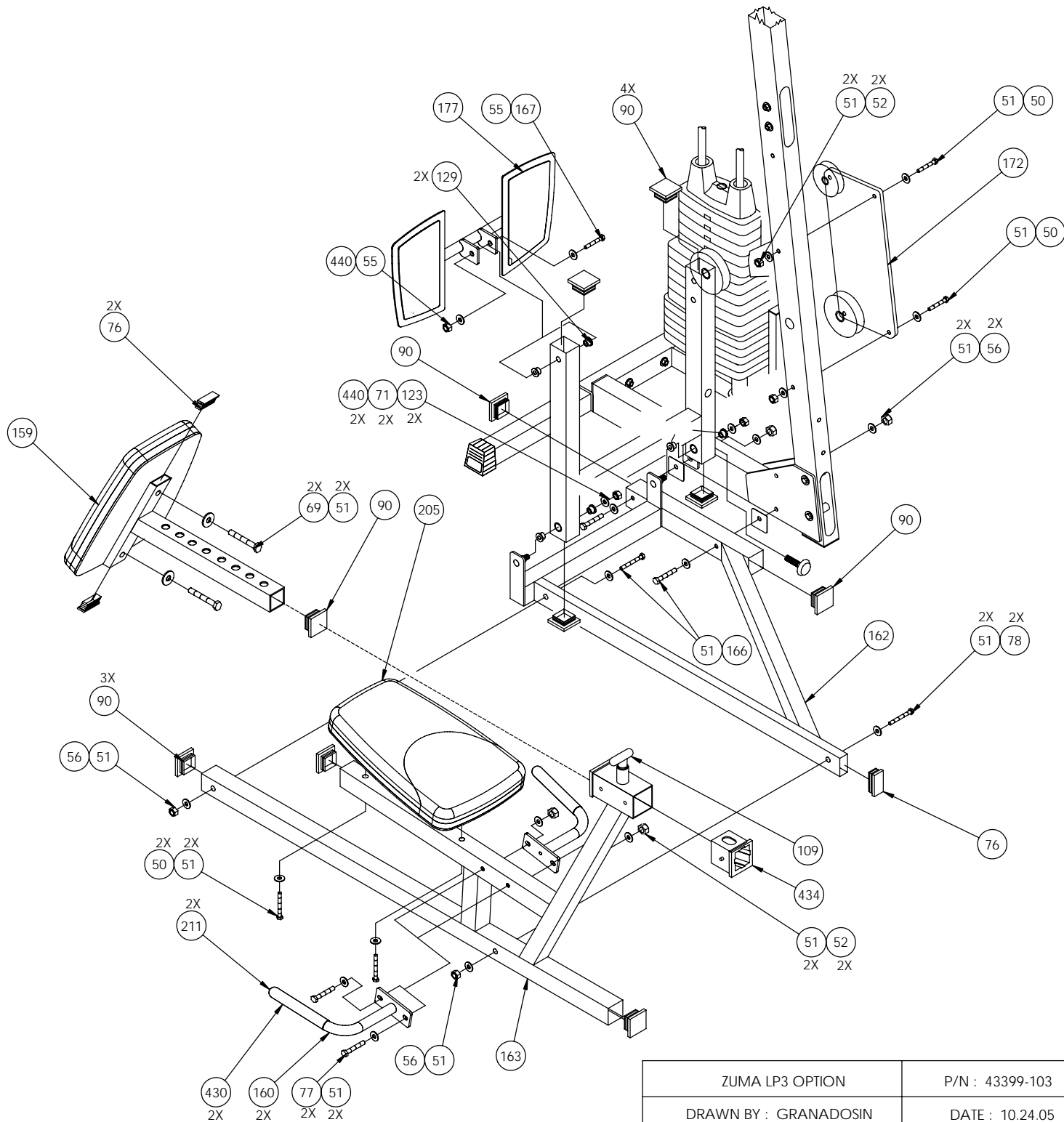
ZUMA	P/N : 43399-103	SUBREV : J
DRAWN BY : GRANADOSIN	DATE : 10.24.05	SHEET 6 OF 11



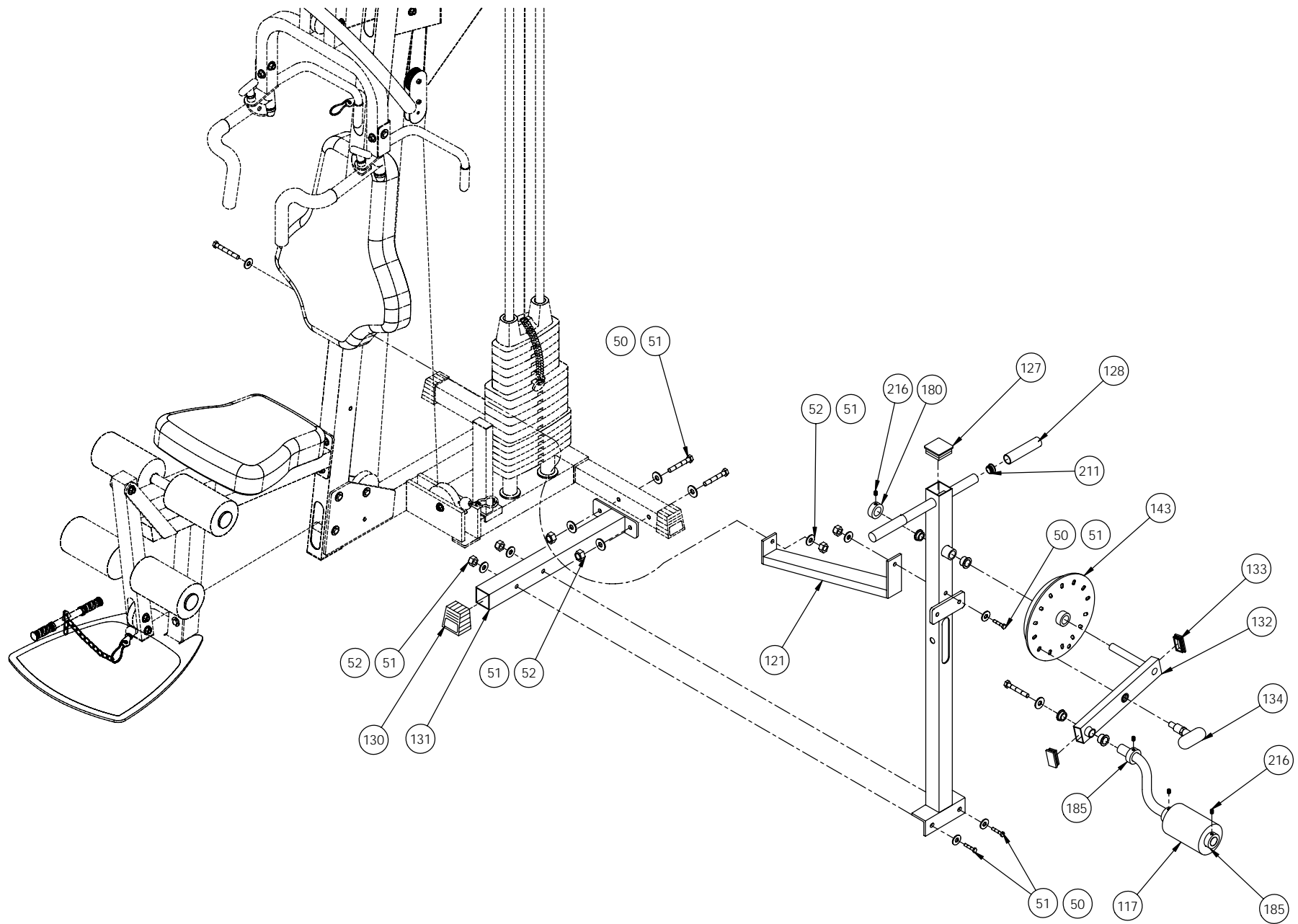
ZUMA	P/N : 43399-103	SUBREV : J
DRAWN BY : GRANADOSIN	DATE : 10.24.05	SHEET 7 OF 11



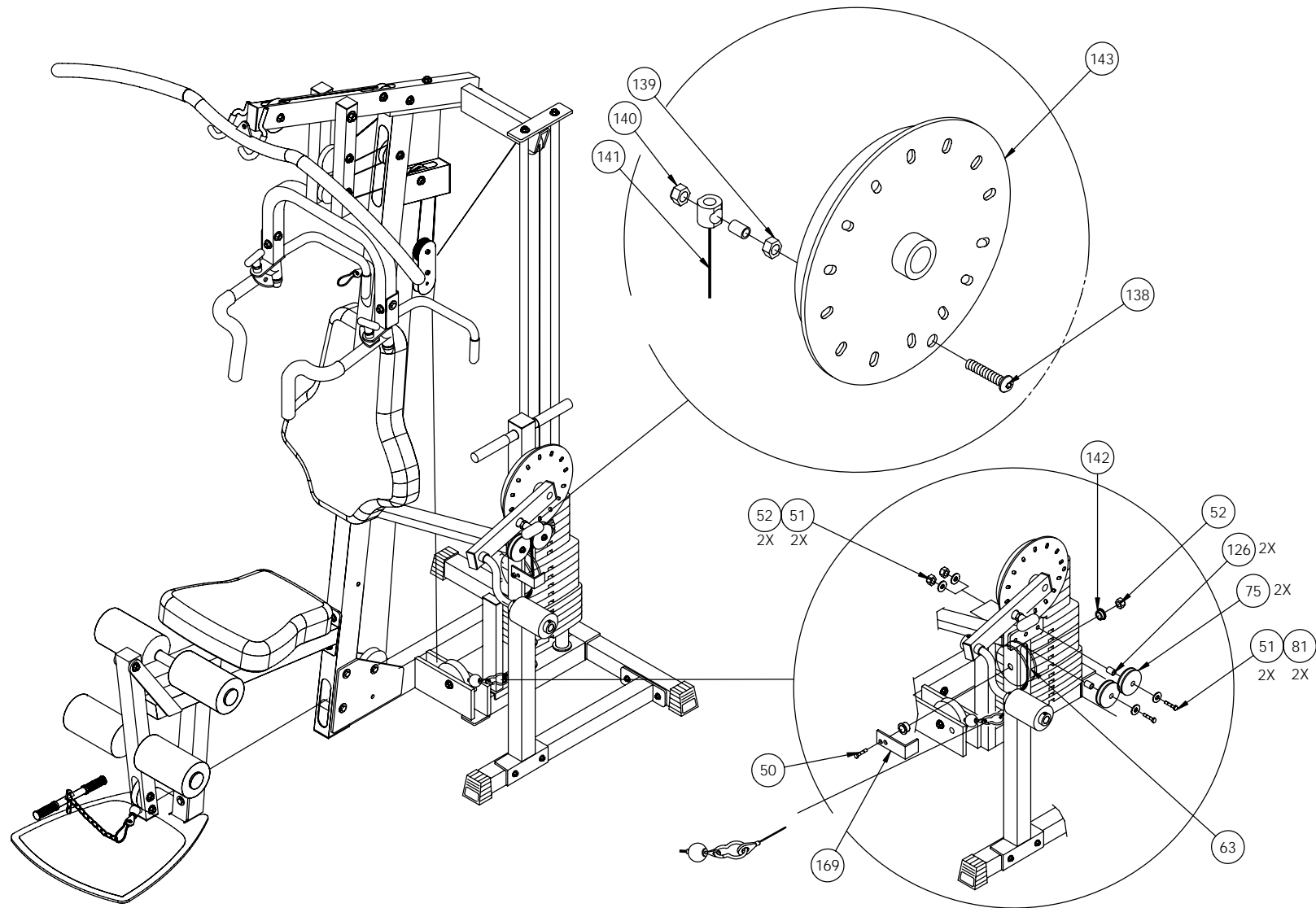
ZUMA	P/N : 43399-103	SUBREV : J
DRAWN BY : GRANADOSIN	DATE : 10.24.05	SHEET 8 OF 11



ZUMA LP3 OPTION	P/N : 43399-103	SUBREV : J
DRAWN BY : GRANADOSIN	DATE : 10.24.05	SHEET 9 OF 11



ZUMA MULTI-HIP OPTION	P/N : 43399-103	SUBREV : J
DRAWN BY : GRANADOSIN	DATE : 10.24.05	SHEET 10 OF 11



ZUMA	P/N : 43399-103	SUBREV : J
DRAWN BY : GRANADOSIN	DATE : 10.24.05	SHEET 11 OF 11

Zuma (serial code AA24)

Part Number	Description	Bubble Number
HCKN038-300	SCREW,HEX, GR5,3/8-16X3,BLK ZN	50
WNKN041-007	WASHER, FLT, 3/8X.870X.065,BLK ZN	51
HCKN038-375	SCREW,HEX,GR5,3/8-16X3 3/4,BLK ZN	52
KDCN038-034	LOCKNUT, FULL, 3/8-16, BLK ZN	52
HCKN038-475	SCREW,HEX,GR5,3/8-16X4 3/4,BLK ZN	53
HCKN050-325	SCREW,HEX,GR5,1/2-13X3 1/4, BLK ZN	54
WNKN053-008	WASHER,FLT,1/2X1.032X.075,BLK ZN	55
KDCN038-034	LOCKNUT, FULL, 3/8-16, BLK ZN	56
HCKN038-400	SCREW,HEX,GR 5,3/8-16X4,BLK	57
40365-101	CUSHION,WT STACK	58
45242-101	ASSY,GUIDE ROD	60
HCKE038-100	SCRW,HX,GR 5,3/8-16X1,BLK ZN,NYLOCK	61
HCKN038-275	SCREW,HEX, GR5,3/8-16X2 3/4,BLK ZN	62
41217-101	PULLEY,4-1/2", GRADE A	63
45238-101	PULLEY, 4 1/2" GRADE B	63
40509-102	CABLE,MAIN,TW,ZUMA	65
45057-101	WEIGHT PIN & LANYARD	66
45212-102	ASSY,LEG EXT. ARM,TITANIUM	67
HCKN038-750	SCREW,HEX,GR5,3/8-16X7 1/2, BLK ZN	68
HCKN038-200	SCREW,HEX,GR5,3/8-16X2, BLK ZN	69
40439-101	SPACER,1/2" SILVER STEP	70
WAAKN050-010	WASHER,FLT,1/2X1.25X.100,BLK ZN	71
HCKN050-750	SCREW,HEX,GR5,1/2-13X7 1/2,BLK ZN	72
42760-102	CABLE,LOWER-TW,ZUMA	73
41216-101	PULLEY,3-1/2", GRADE A	75
45237-101	PULLEY, 3 1/2" GRADE B	75
41177-101	ENDCAP,25MMX50MM	76
HCKN038-325	SCREW,HEX,GR5,3/8-16X3 1/4,BLK ZN	77
HCKN038-375	SCREW,HEX,GR5,3/8-16X3 3/4,BLK ZN	78
HCKN038-425	SCREW,HEX,GR5,3/8-16X4 1/4,BLK ZN	79
43426-102	FLOATING PULLEY PLATE, BLACK	80
HCKN038-225	SCREW,HEX,GR5,3/8-16X2 1/4,BLK ZN	81
42762-102	CABLE,AB/TRICEP-TW,ZUMA	82
HCKN038-250	SCREW,HEX,GR5,3/8-16X2 1/2,BLK ZN	83
45239-101	MUSHROOM CAP,BLACK	84
WBGKN013-003	WASHER,HAT,SOLANA	85
44792-102	ASSY, MAIN BASE, STONE GRAY	88
44828-101	ASSY,TOP WEIGHT,CAST IRON	89
41176-101	ENDCAP,50MM X50MM	90
45019-101	POP PIN,80MM,T-HANDLE,TAPERED	92
45225-102	ASSY,FOOT BRACKET, STONE GRAY	93
45228-102	ASSY,BACK BEAM,STONE GRAY	94
45226-101	FOOT CAP, 50X50MM	95
45231-102	ASSY,TOP BEAM, STONE GRAY	96
43383-101	SLEEVE,PLASTIC	97
45233-102	ASSY,MAIN UPRIGHT,STONE GRAY	98
43391-101	STRAP,ANKLE,ZUMA	100
43392-101	STRAP,AB,ZUMA	101
44765-103	ASSY,PEC FLY ARM,RIGHT, TITANIUM	102
44765-104	ASSY,PEC FLY ARM,LEFT,TITANIUM	103

42432-101	ENDCAP,1-1/4"OD ROUND,BLK	104
43382-101	ENDCAP,50X75MM	105
45208-102	ASSY, LAT BAR, ZUMA,BLACK	106
45209-102	ASSY,SEAT UPRIGHT,STONE GRAY	107
45213-101	ROLLER PAD ROD FOR PF	108
45014-101	POP PIN,75MM,T-HANDLE	109
45218-103	WITH NON SKID PAD,WELDMENT,FOOT PLA	111
45220-103	ASSY,ROW HANDLE,LEFT, TITANIUM	112
45235-102	FOAM ROLLER,OD4",L8",BLACK VINYL CO	113
45223-102	ASSY,PRESS ARM,TITANIUM	115
45217-101	GUIDE ROD SPACER,BLACK	116
40821-102	ROLLER, FOAM, 8",BLACK VINYL COVERE	117
45240-101	ASSY,SEAT STEM,CHROME	119
43380-101	ENDCAP,SQUARE,38MM	120
43736-102	WELDMENT, HIP CROSS BRACE, STONE GR	121
41206-101	ENDCAP,45MMX45MM	122
45216-101	HAND GRIP, 1"ID, 135MM	122
12286-103	STEP SPACER,METRC,19.05ID,20L,BRNZ	123
12272-101	GRIP,HAND DIPPED,M31.8X17"	124
42432-101	ENDCAP,1-1/4"OD ROUND,BLK	125
40379-102	SPACER,3/8" BLK ZN BARREL	126
40291-101	ENDCAP,2"SQ.,11GA	127
12286-102	STEP SPACER,METRIC,12.8ID,18L,BRNZ	129
40768-101	ENDCAP,2",OUTSIDE FLOOR	130
43952-102	ASSY, HIP BASE, STONE GRAY	131
43953-102	ASSY, PIVOT ARM, STONE GRAY	132
40282-101	ENDCAP,1X2,11GA	133
43954-101	POP PIN, 3 1/2, T-HANDLE	134
43722-102	WELDMENT, HIP UPRIGHT, STONE GRAY,	135
43729-101	PLUG,GUIDE ROD,SOLANA	136
43950-102	WELDMENT, ROLLER BENT ARM, STONE GR	137
TAKN038-150	SCREW,BTHD,3/8-16X1-1/2,BLK ZN	138
KYKN038-023	NUT,JAM,3/8-16, BLK ZN	139
KAKN038-027	LOCKNUT,HALF,3/8-16,BLK ZN	140
40510-103	CABLE,MULTI-HIP,ZUMA, STONE GRAY	141
40439-102	SPACER,1/2" BLACK ZINC STEP	142
43906-101	WELDMENT,HIP SELECTOR,CHROME	143
45054-101	ASSY,20 HOLE SELECTOR STEM	157
46428-101	SEAT PAD, BACK, LEG PRESS OPTION, 3	159
44992-102	ASSY, LELC SEAT HANDLE, STONE GRAY	160
CCKN038-150	SCREW,SKHD,3/8-16X1.50,BLK ZN,LK	161
45173-102	ASSY, LEG PRESS BASE, STONE GRAY	162
45174-102	ASSY, SEAT FRAME, STONE GRAY	163
45175-102	ASSY, SUPPORT ARM, STONE GRAY	164
45176-102	ASSY, SEAT BRACKET SUPPORT, CHROME	165
HCKE038-500	SCREW,HEX,GR 5,3/8-16X5,BLK ZN	166
HCKN050-350	SCREW,HEX,GR5,1/2-13X3 1/2,BLK ZN	167
HCKE038-175	SCREW,HEX,GR5,3/8-16X1 3/4,BLK ZN	168
41218-101	RETAINER,CABLE,4-1/2"	169
45047-101	RETAINER,"L" CABLE,BLACK,TAIWAN	169
41219-101	RETAINER,CABLE,3-1/2"	170
40379-102	SPACER,3/8" BLK ZN BARREL	171

45184-102	WELDMENT, PULLEY PLATE, STONE GRAY,	172
HCKN038-500	SCREW,HEX,GR 5,3/8-16X5,BLK	173
12266-102	IC,V-REG,LM2576,TO-220-5 LB03	174
43740-101	SPACER,BARREL,SOLANA	174
45180-101	CAM STOP, BLACK	175
KDKN050-072	LOCKNUT,FULL,1/2-13,BLK ZINC	176
48217-101	ASSY, FOOT REST, TITANIUM	177
45171-102	WELDMENT, STOP BRACKET, STONE GRAY,	178
40364-101	ENDCAP,3/4"DIA,BLK,OUTSIDE LOCK	179
43956-101	COLLAR,SHAFT,3/4 W/ SET SCREW	180
45147-101	STP SPCR,M16.2OD,10ID,12.5H,BLK ZNC	181
HCKE038-075	HEX,GR5,3/8-16X3/4,NYLOCK,BLK ZN	182
45220-104	ASSY,ROW HANDLE,RIGHT, TITANIUM	183
45088-101	GRIP,HAND DIPPED,1.25"ID, 135MM L	184
HCKE038-525	SCREW,HEX,GR 5,3/8-16X5 1/4,BLK ZN	190
12286-103	STEP SPACER,METRC,19.05ID,20L,BRNZ	192
46422-102	SEAT PAD, BOTTOM, LEG PRESS OPTION	205
44474-101	END CAP,ROUND,ZUMA MULTI-HIP	211
44976-101	PLASTIC TOP WEIGHT BUSHING	213
44789-013	KIT,HARDWARE,ZUMA,STONE GRAY,STEP 1	221
44789-042	KIT, HARDWARE,ZUMA,STONE GRAY, STEP	224
44789-053	KIT, HARDWARE,ZUMA,STONE GRAY, STEP	225
44789-062	KIT, HARDWARE,ZUMA, STONE GRAY, STE	226
44789-072	KIT, HARDWARE,ZUMA, STONE GRAY, STE	227
44789-083	KIT, HARDWARE,ZUMA,STONE GRAY, STEP	228
44789-094	KIT, HARDWARE,ZUMA,STONE GRAY, STEP	229
44789-103	KIT, HARDWARE,ZUMA,STONE GRAY, STEP	230
44789-113	KIT, HARDWARE,ZUMA,STONE GRAY, STEP	231
44789-122	KIT, HARDWARE,ZUMA,STONE GRAY, STEP	232
44789-133	KIT, HARDWARE,ZUMA,STONE GRAY, STEP	233
44789-141	KIT, HARDWARE,ZUMA,STONE GRAY, STEP	234
45206-001	HARDWARE KIT, LP3-ALL UNITS	250
45206-010	STEP 1, LP3 HARDWARE	251
45206-021	STEP 2, LP3 HARDWARE	252
45206-030	STEP 3, LP3 HARDWARE	253
45206-041	STEP 4, LP3 HARDWARE	254
45206-051	STEP 5, LP3 HARDWARE	255
45321-101	PULLEY BAG, LP3	256
45186-101	RUBBER PAD, 80X40MM	259
44835-002	KIT, HARDWARE,ZUMA MULTI HIP,STONE	260
44835-011	HARDWARE STEP 1, ZUMA MULTI HIP, ST	261
44835-022	HARDWARE STEP 2, ZUMA MULTI HIP, ST	262
44835-031	HARDWARE STEP 3, ZUMA MULTI HIP, ST	263
44835-041	HARDWARE STEP 4, ZUMA MULTI HIP, ST	264
48834-101	WEIGHT WITH BUSHING, 10#	301
40771-102	BUSHING,WEIGHT STACK,PLASTIC,1"	303
45249-102	HAND GRIP, 1"ID, 351MM	430
44883-101	ASSY,BUMPER, 1.34L	432
45169-101	PLASTIC SLEEVE,BLACK	434
KDKN050-072	LOCKNUT,FULL,1/2-13,BLK ZINC	440
48105-101	BACK,SEAT,BLACK	443
44767-102	SEAT,BOTTOM,BLACK	444

40386-103	LABEL,WEIGHT STACK,RETAIL	994
44451-104	LITERATURE KIT, ZUMA MULTI-HIP,STON	996
43146-104	WALL CHART,ZUMA, STONE GRAY	997
47937-103	LITERATURE KIT, LP3, STONE	998